

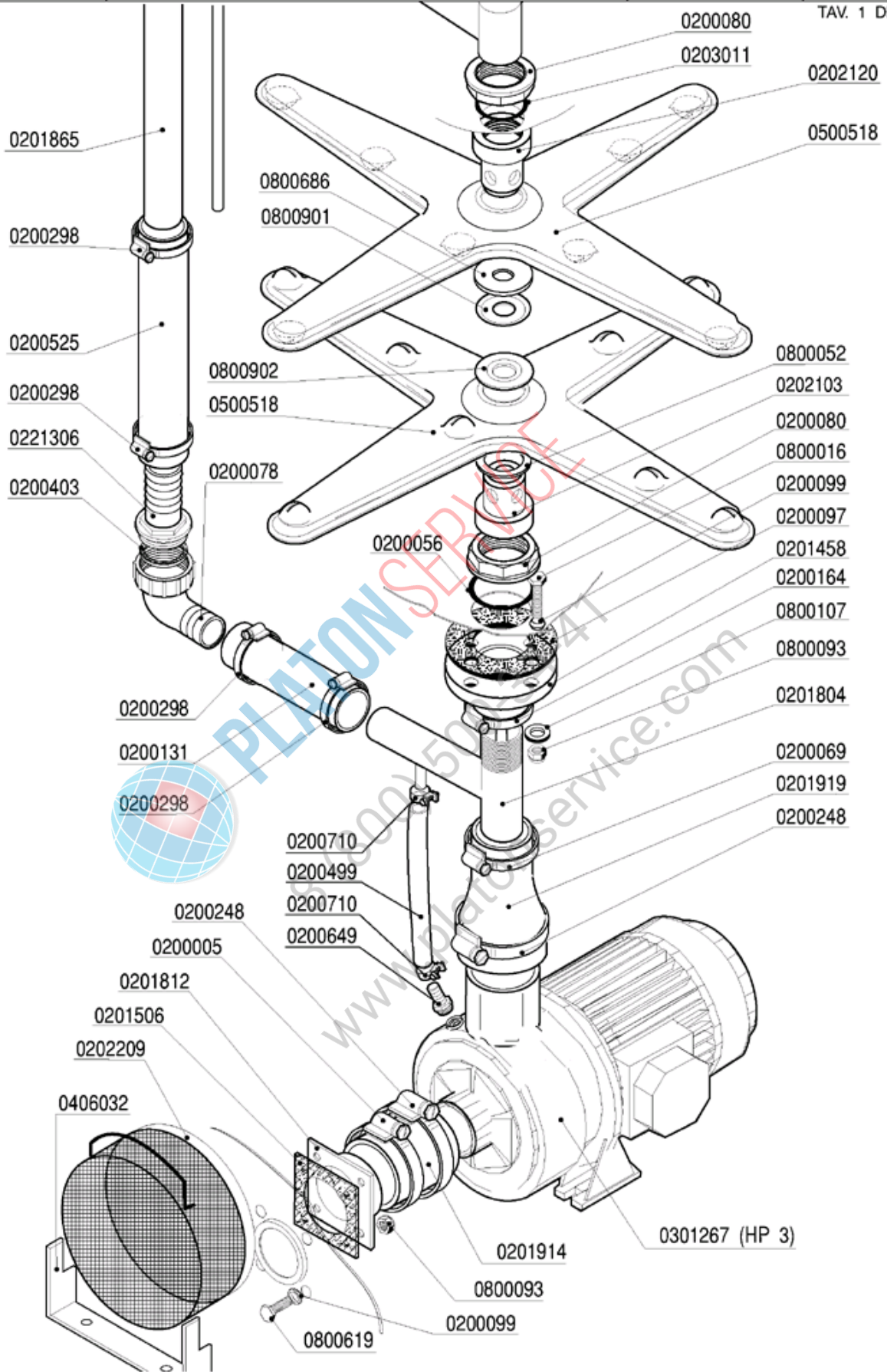
- 1 - WASH COMPONENTS
- 2 - TANK COMPONENTS
- 3 - RINSE COMPONENTS
- 4 - BOILER
- 5 - CONTROL BOX
- 6 - SLIDE AND FILTERS
- 7 - BASE
- 8 - HOOD
- 9 - LIFTING COMPONENTS



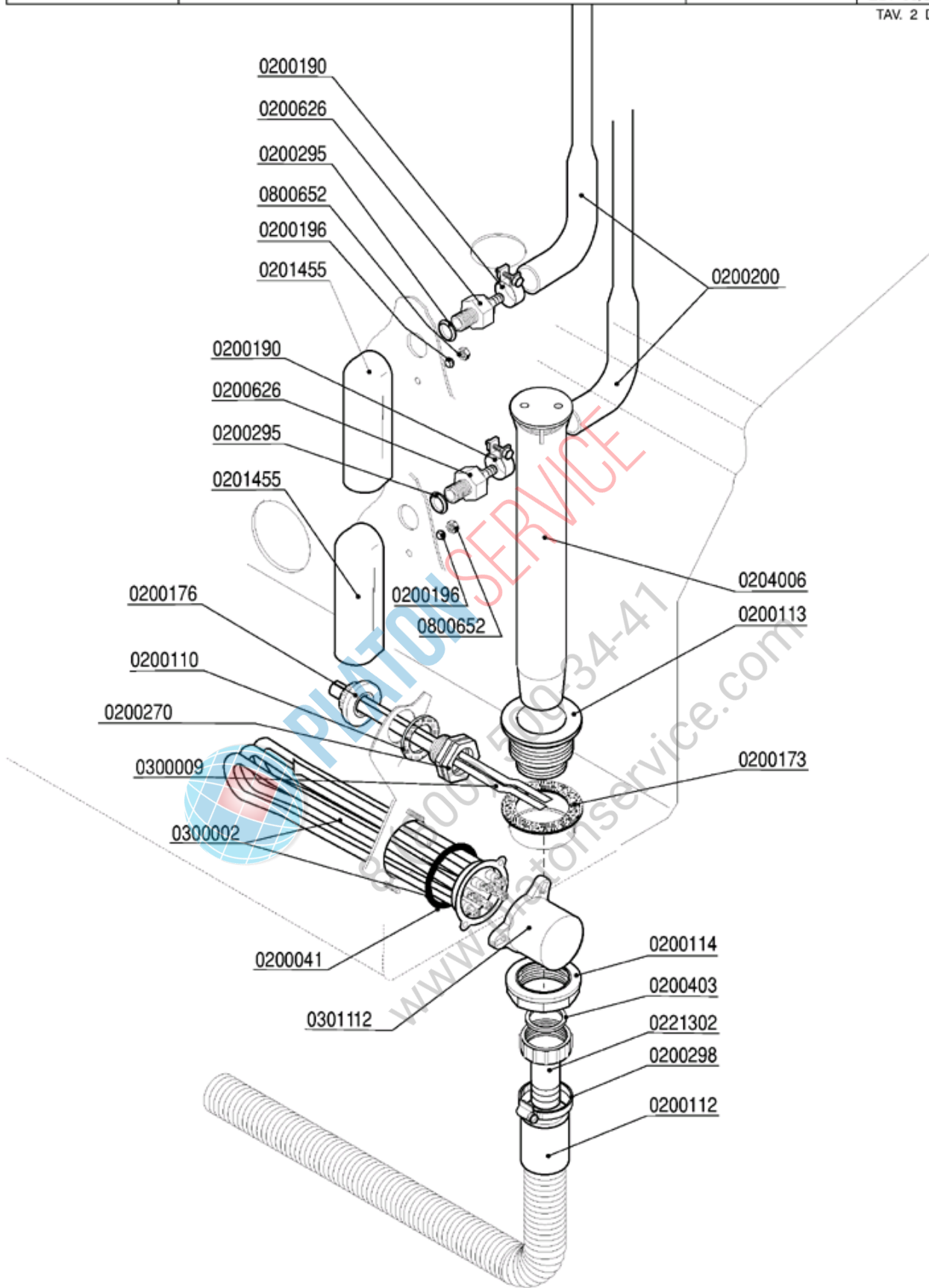
PLATON SERVICE

8 (800) 500-34-41

www.platonservice.com



CODE	DESCRIPTION
0200005	CLAMP 50-70
0200056	OR 144 DRAINS 1"¼
0200069	CLAMP 40-60
0200078	DRAIN UNION 1"1/4X32 2121 RIF.21+22 8121
0200080	RING NUT 1"¼ 2190 PA
0200097	RUBBER JOINT 105X45X3 4H
0200099	NYLTITE JOINT M8
0200131	RADIOR SLEEVE 30X100 F 1854-94
0200164	CLAMP 32-50
0200248	CLAMP 60-80
0200298	CLAMP 25-40
0200403	FLAT JOINT 38X27X2 3794
0200499	RUBBER HOSE 12X19,5 FOOD QUALITY
0200525	RADIOR HOSE D.I.30
0200649	DWO WATER RECYCLING HOSE CONNECTION 5002
0200710	RUGGED CLAMP 14-27/12.7
0201458	COUPLING FLANGE 1"¼ D.110
0201506	JOINT 100X100XSP.3 F.72 3451
0201804	WASHING AND RINSING MANIFOLD L25
0201812	EXTERNAL FLANGE PUMP HP3 LP 4090-4089
0201865	WASHING MANIFOLD UPPER P700-2000
0201914	SLEEVE RADIOR 60 H.50 4667
0201919	REDUCED SLEEVE ELLE 4666 60X43X150
0202103	WASH ARM BOSS D.18 4H NSF
0202120	WASH ARM BOSS D.22 4H NSF
0202209	SUCTION FILTER MATIC-ELLE
0203011	JOINT 6162 UPPER WASHING F
0221306	RUBBER PIPE FITTING 1" 1/4X32
0301267	WASH PUMP HP 3 DWO 300-P700
0406032	SUCTION FILTER BEARING MATIC/L 3153
0500518	WASH ARM P700 4 SPOKES 7781
0800016	SCREW TEM8X40 STAINLESS STEEL
0800052	TEFLON WASHER 57X42X2
0800093	SELFLOCKING GALVANIZED NUT M8
0800107	BRASS FLAT RING
0800619	M8X20 2,2MM HEAD SCREW
0800686	NYLON WASHER 50X22.2X2 2782-96
0800901	WASH ARM S.S.WASHER 50X22,2 2781
0800902	S.S.WASH ARM WASHER L25 2987 D.18



CODE	DESCRIPTION
0200041	OR 6225 RINSETANK ELEMENT
0200110	FLAT JOINT 31X21X2
0200112	DRAIN HOSE D.28 C/317
0200113	DRAIN 007 REF.18
0200114	NUT 2" DRAIN PLUG 2190
0200173	RUBBER JOINT 75X58X2 REF.19
0200176	NUT ½" 2190
0200190	CLAMP 13X15
0200196	NYLTITE JOINT M3
0200200	LUG HOSE FOR PRESSURE SWITCH 4537
0200270	DOUBLE SHEATH ½" ES25 7X8X120
0200295	NYLTITE JOINT M12
0200298	CLAMP 25-40
0200403	FLAT JOINT 38X27X2 3794
0200626	RUBBER PIPE FITTING FOR AIR TRAP ELLE
0201455	FRONT AIR TRAP L=85MM
0204006	OVERFLOW 45X410 P700-2000 6732
0221302	STRAIGHT DRAIN UNION 1"¼X32 PA
0300002	S.S.ELEMENT 4500W/3 FLANGE
0300009	CLUTCH SPRING REF.134
0301112	COVER FOR HEATER 1 ELEMENT 3X6MM
0800652	S.S. SELFLOCKING NUT M3

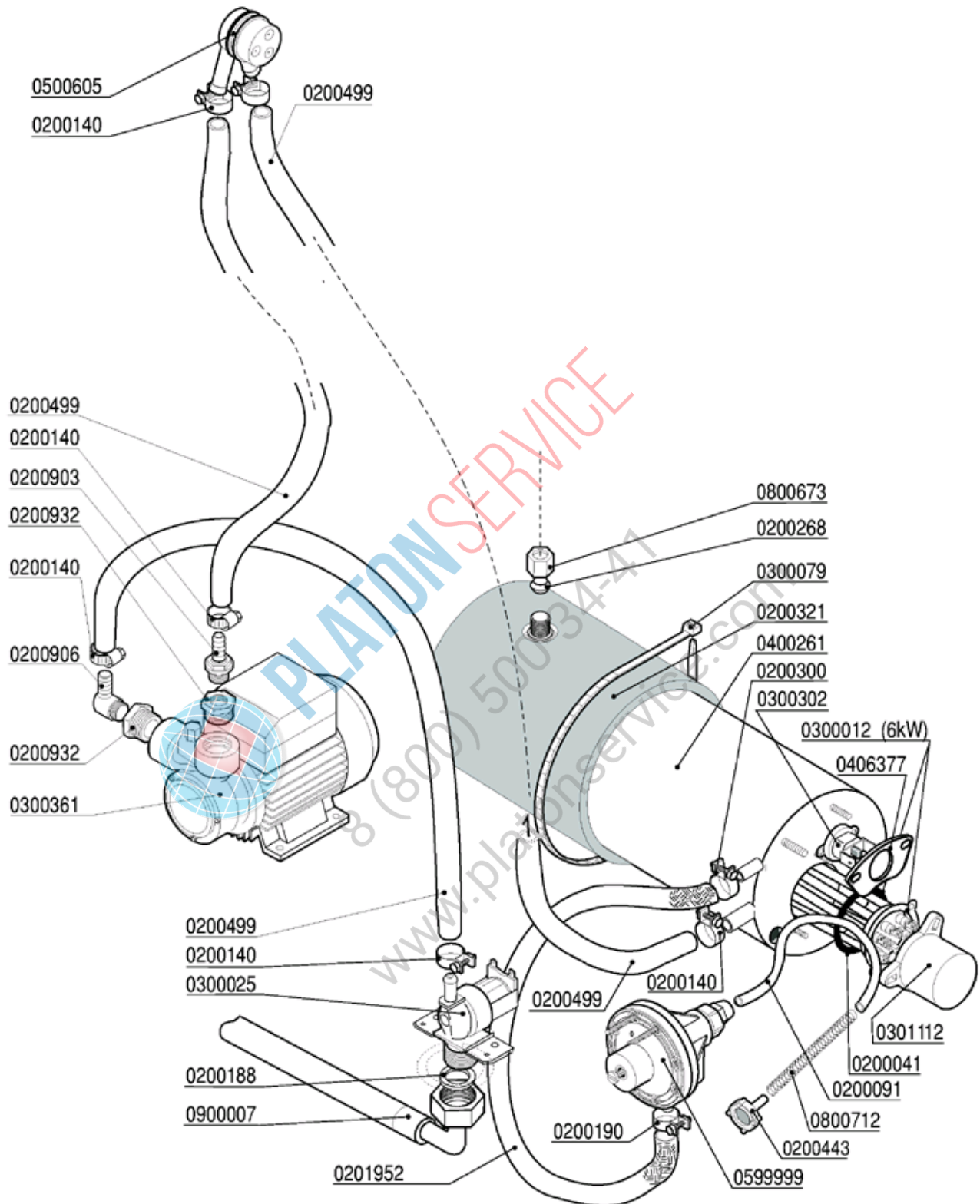


PLATON SERVICE
 8 (800) 500-34-41
 www.platonservice.com

CODE	DESCRIPTION
0200012	RH RINSE ARM 230MM BASKET 50
0200013	LH RINSE ARM 230MM BASKET 50
0200268	BICONIC NUT TEFLON 3/8X12
0200303	OR 2021 RINSE NOZZLES
0200372	RH RINSE ARM FOR P700
0200373	LH RINSE ARM FOR P700
0200625	S.S.NOZZLE FIXING RING NUT 2611
0200802	LOWER RINSE ARM FOR P700
0200805	UPPER RINSE ARM P700
0201001	LOWER RINSE PIVOT LP P700 2019/94
0201003	UPPER RINSE PIVOT 2608/96 NSF
0201150	RINSE ARM HEAD LP-PT 2017
0201151	RINSE ARM ROTATING BOSS 2142/95
0201172	S.S.RINSE NOZZLE HOLE 1,2 2609
0201359	EXTERNAL RINSE WATER PIPE P700-2000 5612
0201804	WASHING AND RINSING MANIFOLD L25
0201865	WASHING MANIFOLD UPPER P700-2000
0800130	UPPER ROTATING RINSE ARM SCREW
0800175	RINSE ARM BUSH FOR POT-WASHING MACHINES
0800205	S.S.NUT M12X1 724 E16S5
0800498	LB RINSE ARM BUSH D.16.2 2143
0800499	LB RINSE ARM BUSH D.13.3 2606
0800500	RINSE ARM BUSH FOR POT-WASHING MACHINES
0800501	BLOCK FOR EDDY SCREW UPPER RINSE 7366
0800502	COVER FOR EDDY SCREW UPPER RINSE 7898
0800622	S.S. SCREW TPSTCR M3X16
0800644	S.S. SCREW TPSTCR M3X8
0800673	BRASS BICONIC NUT



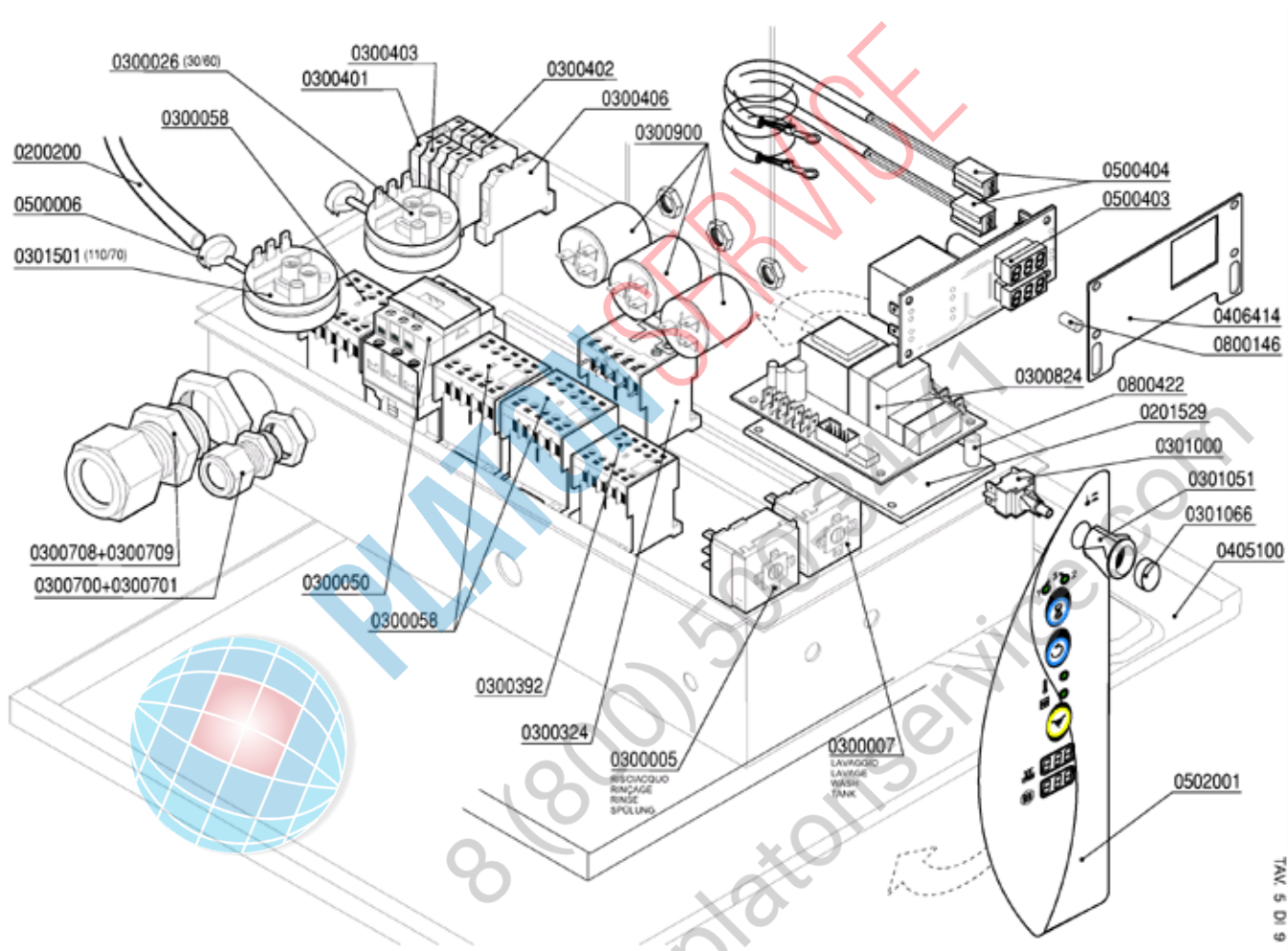
8 (800) 500-3114
www.platonservice.com



CODE	DESCRIPTION
0200041	OR 6225 RINSETANK ELEMENT
0200091	CRYSTAL HOSE PP 4X6
0200140	CLAMP 17X19
0200188	RUBBER SEAL 25X16X2
0200190	CLAMP 13X15
0200268	BICONIC NUT TEFLON 3/8X12
0200300	PIPE CLAMP 15X17
0200321	RINSETANK INSULATION 9LT
0200443	RINSE AID PUMP BOTTOM FILTER
0200499	RUBBER HOSE 12X19,5 FOOD QUALITY
0200903	BRASS RUBBER PIPE FITTING 1/2X16
0200906	BRASS ELBOW RUBBER PIPE FITTING
0200932	BRASS FLARING SLEEVE
0201952	SILICONE/STEEL DOSING PUMP/BOILER HOSE
0300012	ELEMENT 6000W/3 S.S.FLANGE
0300025	SIMPLE SOLENOID VALVE
0300079	CLAMP FOR RINSETANK INSULATION
0300302	UNIPOLAR SAFETY THERMOSTAT 105° BN5
0300361	BRASS BOOSTER PUMP HP 0,5 PQM60BZ
0301112	COVER FOR HEATER 1 ELEMENT 3X6MM
0400261	RINSETANK 8LT L25
0406377	PLATE FOR RINSETANK THERMOSTAT DSP 7267
0500605	VACUUM BREAKER VALVE DVGW GD
0599999	RINSE AID PUMP TYPE 3000
0800673	BRASS BICONIC NUT
0800712	S.S.SPRING 160MM RINSE AID PUMP HOSE
0900007	S.S. FILL HOSE 3/4"



PLATON SERVICE
 8 (800) 500-34-41
 www.platonservice.com



lamber

QUADRO ELETTRICO - TABLEAU ELECTRIQUE
CONTROL BOX - SCHALT-TAFEL - CAJA ELECTRICA

MOD.
PT800-ek

TAV.
5 A

ED. 03/2010
TAV. 5 DI 9

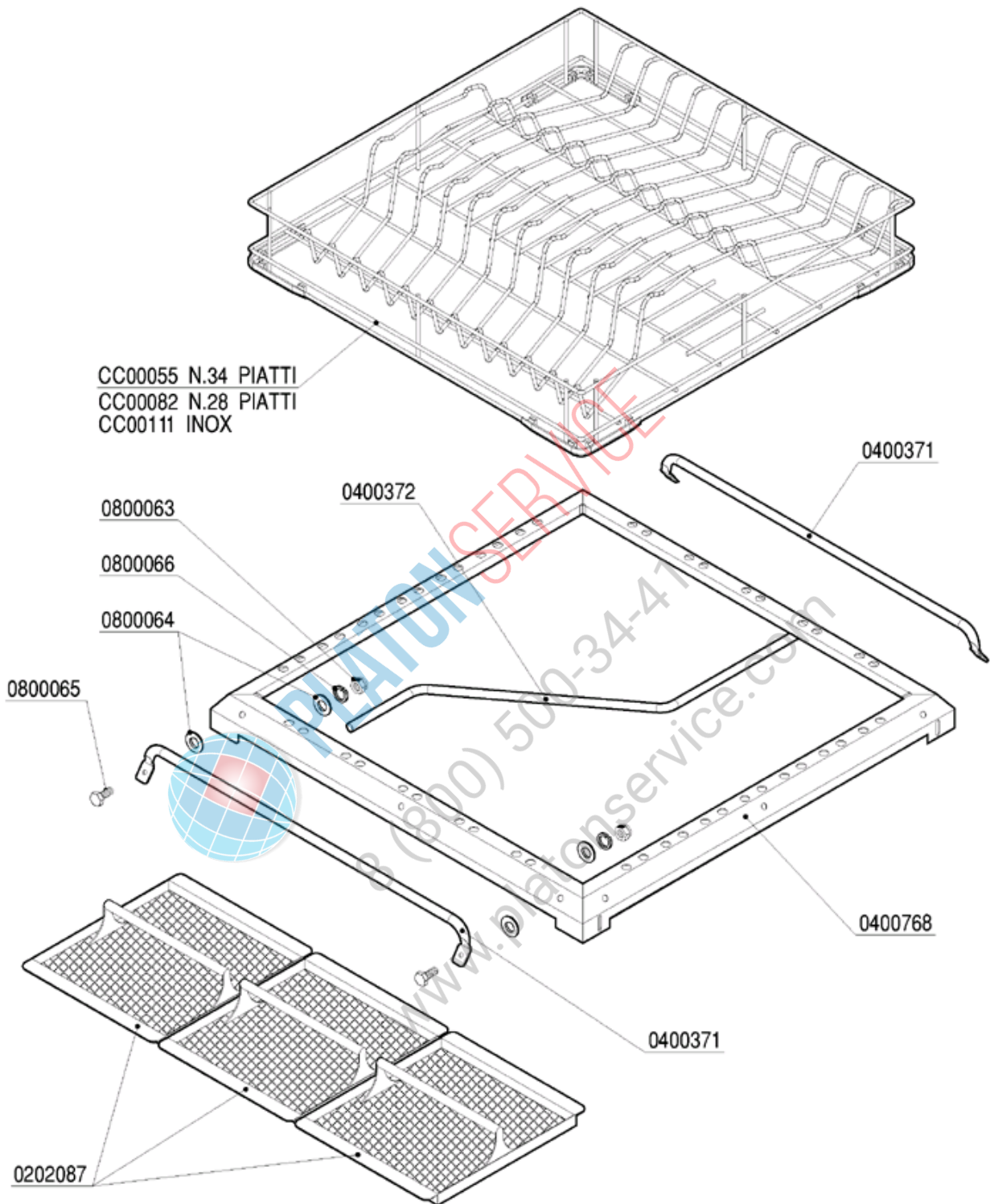
8 (800) 530000

www.platoniservizi.it

CODE	DESCRIPTION
0200200	LUG HOSE FOR PRESSURE SWITCH 4537
0201529	INSULATING PLATE FOR TIMER 7461
0300005	THERMOSTAT 90°C 1NONC BOILER IMIT
0300007	THERMOSTAT 70°C C.2100V.1NONC TANK IMIT
0300026	LEVEL SWITCH 60/30 16A 1NONC
0300050	CONTACTOR 25A 4NO 50HZ 2172
0300058	CONTACTOR 16A 4NO LC1-K0610M7
0300324	THERMIC RELAY 16A 3,7-5,5A
0300392	CONTACTOR 16A 3NO1NC AUX LSO7.01
0300401	YELLOW GREEN TERMINAL 6 MMQ EARTH
0300402	BEIGE TERMINAL 6 MMQ
0300403	NEUTRAL BLUE TERMINAL 6 MMQ
0300406	RED TERMINAL 4 MMQ
0300700	CABLE CLAMP PG 13,5 VDE
0300701	LOCK NUT PG13,5 VDE
0300708	CABLE CLAMP PG29
0300709	LOCK NUT PG29
0300824	PCB BOARD "EK" RANGE
0300900	ANTIJAMMING FILTER 411135001
0301000	GREEN ON/OFF SWITCH 16A 2NO 30X30
0301051	OVAL PUSHBOTTON SUPPORT
0301066	GREEN OVAL PUSH BUTTON
0301501	LEVEL SWITCH 110/70
0406414	PLATE FOR ELECTRONIC THERMOMETERS L25
0500006	CLAMP CLIC 11,5-13,5
0500403	DOUBLE ELECTRONIC THERMOMETER
0500404	ELECTRONIC THERMOMETER FEELER
0502001	MEMBRANE KEYBOARD ELLE L25EK
0800146	SPACER AVP M3X10 DIGITAL THERMOMETER
0800422	THREADED SPACER



PLATON SERVICE
 8 (800) 304471
 www.platonservice.com



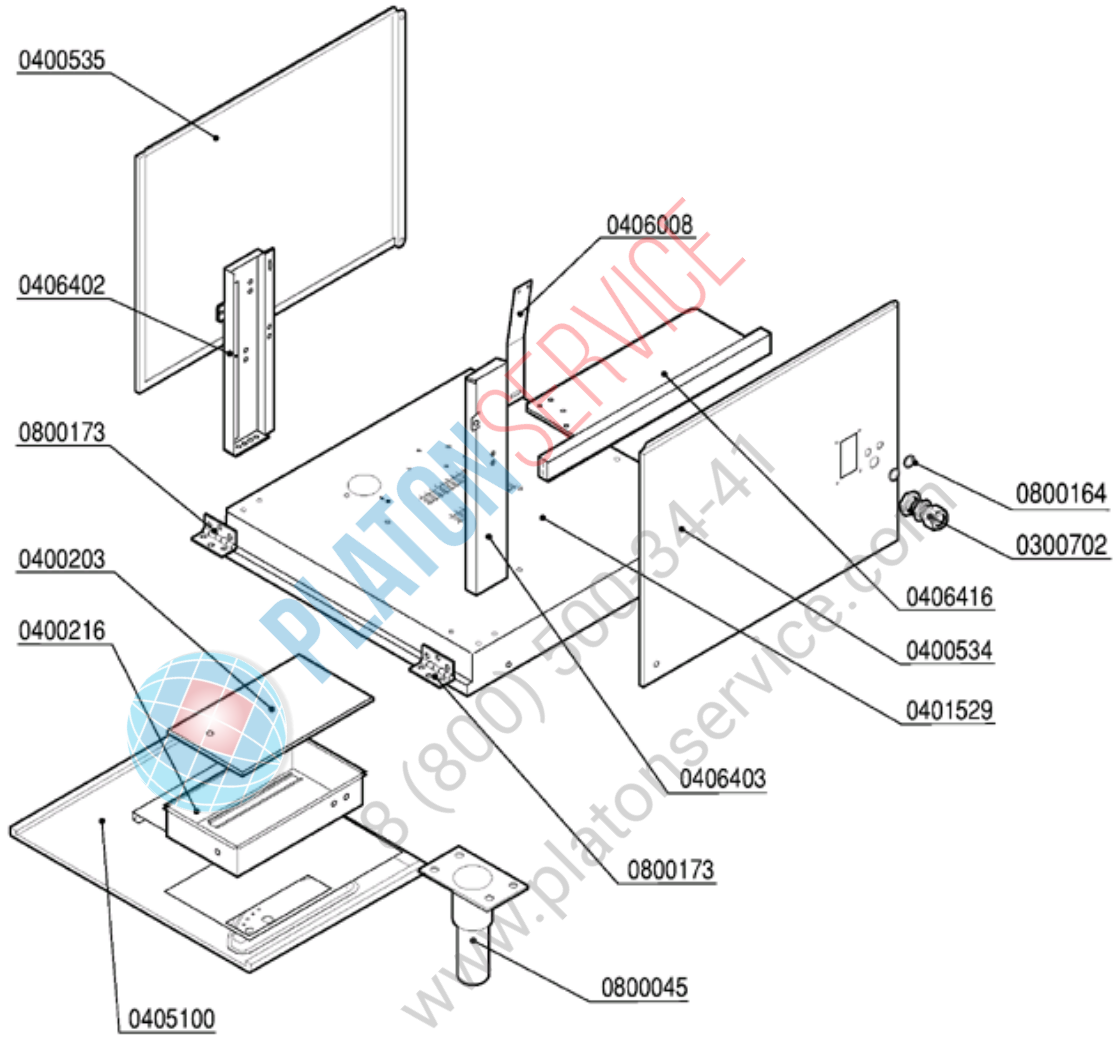
CODE	DESCRIPTION
0202087	STRAINER DRAWER P700-PT800 9078
0800063	S.S.NUT M6
0800064	S.S. FLAT WASHER
0800065	INOX SCREW TEM6 X16
0800066	S.S. GROWER WASHER
CC00055	BASKET 34 DISHES 620X620 PT800 9068
CC00082	BASKET 28P PIZZA 620X620 PT800 9066
CC00111	GENERAL BASKET INOX 620X20 PT800 9082



PLATON SERVICE

8 (800) 500-34-47

www.platonservice.com



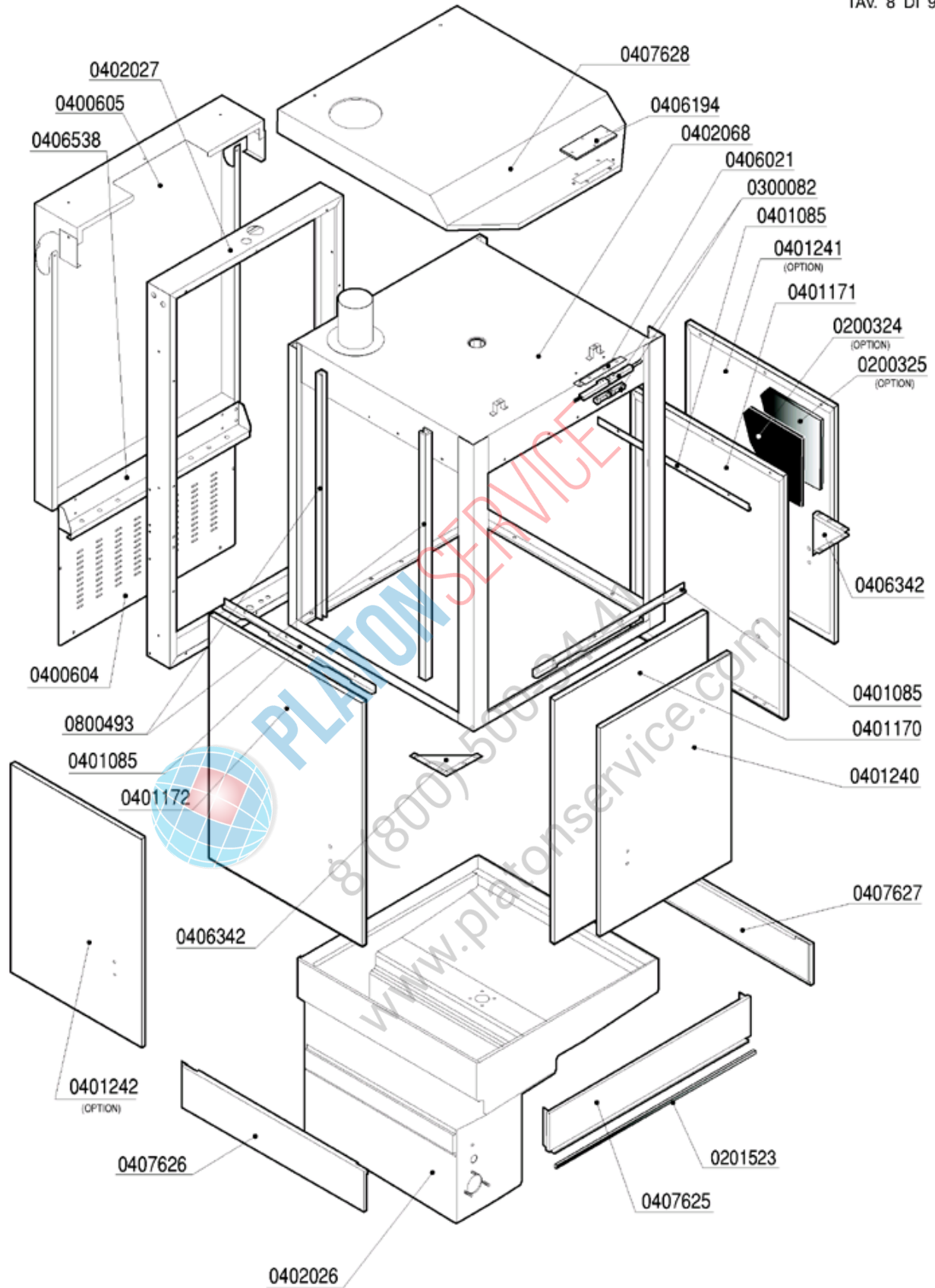
CODE	DESCRIPTION
0300702	CABLE CLAMP "HEICO" PG16
0400203	BASKET COVER ELLE 4302
0400216	LOOM BOX L 4299/4300/854
0406008	TANK-MAGNET BEARING
0406402	FRONT BASE SUPPORT (RIGHT) L25
0406403	FRONT BASE SUPPORT (LEFT) L25
0800045	S.S.FOOT 2"X160 100X85X2,5
0800164	RINSE DISPENSER BUSH
0800173	HINGE FRONT PANEL ELLE



PLATON SERVICE

8 (800) 500-34-47

www.platonservice.com



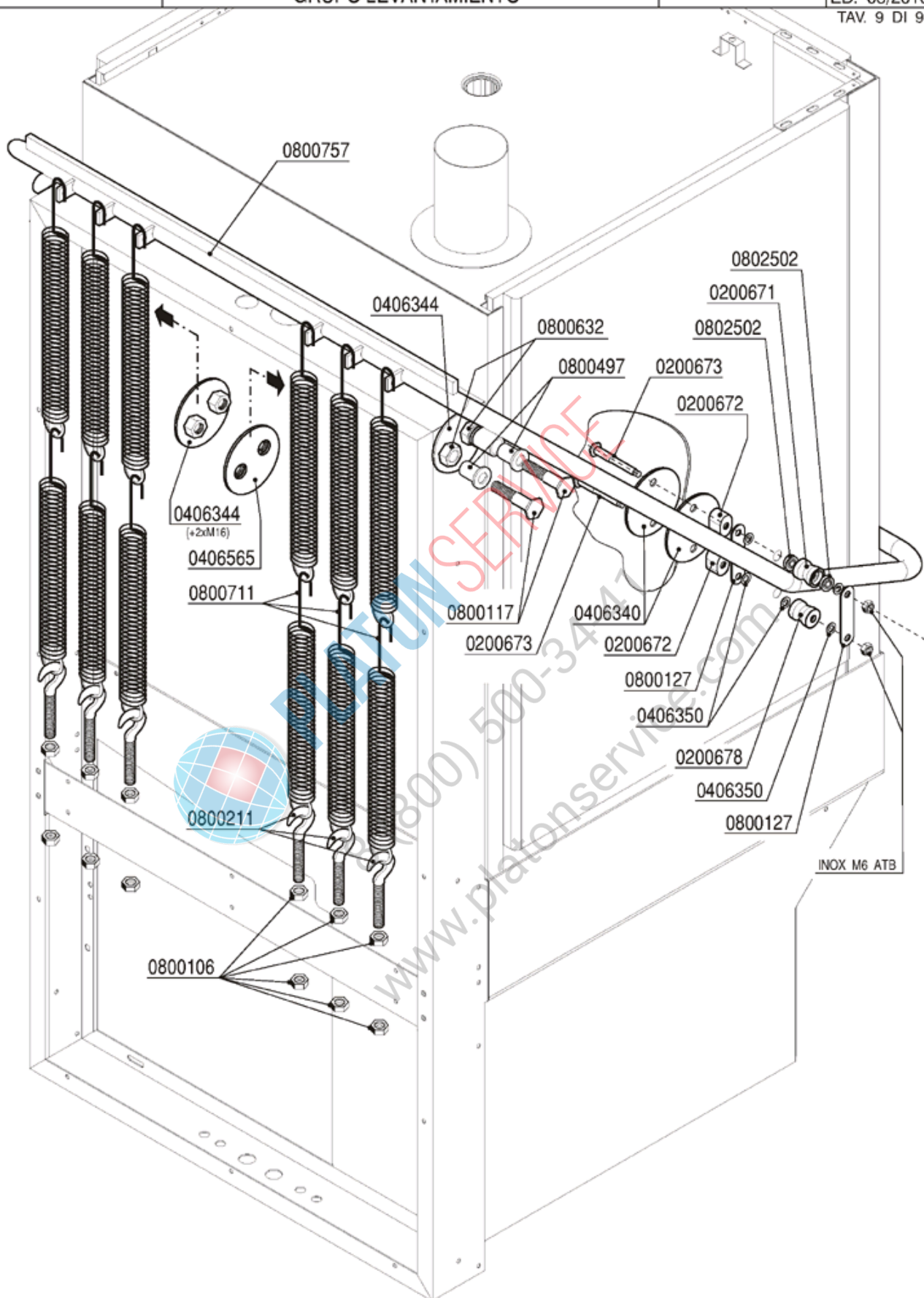
CODE	DESCRIPTION
0200324	THERMO-INSULATING PANEL 500X500X5 PE/R30
0200325	DEADENING PANEL 500X500X8 MTP/30
0201523	ADHESIVE SECTION POR 15X8
0300082	MAGNETIC SWITCH MATIC10
0402027	COLUMN P700-2000 5481
0406021	MICRO DOOR SUPPORT MATIC 3177
0406194	OVERHAULING SLOT PLATE MICRO LP 5587
0406342	DOOR LOCKING PLATE PT 6904
0800493	POLYZENE DOOR SLIDE LINEAR



PLATON SERVICE

8 (800) 500-34-41

www.platonservice.com



CODE	DESCRIPTION
0200671	UPPER SLIDE ROLLER PT850 6905
0200672	SIDE HANDLE SPACER PT850 6902
0200673	ROLLER HANDLE BOLT PT850 6901
0200678	SLIDING ROLL PT850 6976
0406340	REINFORCEMENT PLATE PT850 6903
0406344	COLUMN PIN REINFORCEMENT PT850 6907
0406350	SP.RING 1,0X8X14 PT 7523
0800106	GALVANIZED NUT M10
0800117	BOLT FOR U HANDLE 015/24L
0800127	BELT CHAIN LINK LINEAR 5000
0800211	TIE ROD SCREW WITH HOOK M10X120
0800497	HANDLE PIVOT BUSH
0800632	S.S. NUT M16
0800711	HOOD SPRING L23...L25 LONG HOOK
0802502	S.S.BEARING-HANDLE CM GRW SS698



PLATON SERVICE

8 (800) 500-34-47

www.platonservice.com